

High Performance Quality Products...

# Power Chucks



**Standard Accessories:**  
Reversible Top hard Jaws- 1 Set  
Soft Jaws- 1 Set  
Allen Key- 1 Pc  
Key for Stroke Adjustment - 1 Pc  
(only in open Center)



Type 7500 (Power Chuck Eccentric Compensation / Jaw Compensation)								
Chuck Size (MM)	Chuck Size (Inches)	Short Taper	Through Hole		2 Jaw		3 Jaw	
165	6 1/2"	----	----		1552165		1553165	
200	8"	----	----		1552200		1553200	
250	10"	----	----		1552250		1553250	
315	12 1/2"	----	----		1552315		1553315	

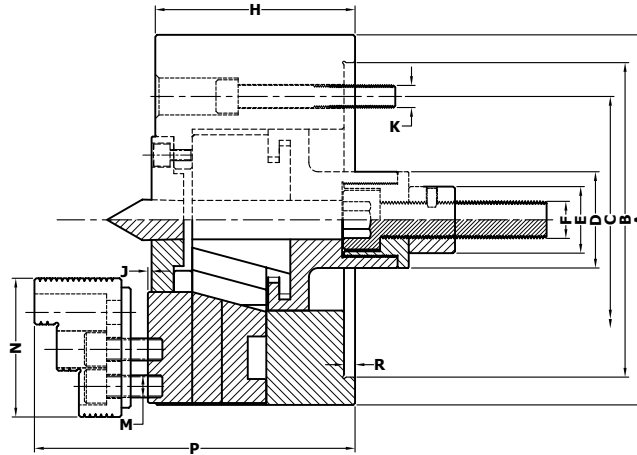
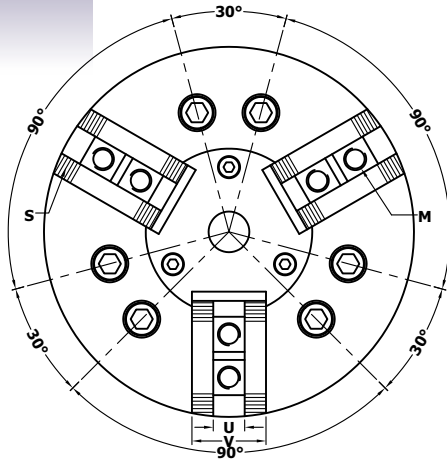
High Performance Quality Products...

**Power**



**SHARP**®

CONSISTENT QUALITY  
LONGER LIFE



**Dimensional Data**

Chuck Size	165mm	200mm	250mm	315mm
A	170	210	254	315
B H6	140	170	220	220 / 300
C	104.8	133.4	171.4	171.4 / 235
D	40	52	60	60
E	32	40	50	55
F	M16	M20	M20	M24
H	100	102	113	122
J	4	4	5	5
K	6 x M10	6 x M12	6 x M16	6 x M16 / M18
M	M10	M12	M12	M14
N	72	87	100	107
P	146	166	171	175
R	5	5	5	5
S	1/16" x 90°	1/16" x 90°	1/16" x 90°	1/16" x 90°
U	12	14	16	18
V	32	37	40	50

Note: Serrations 1.5 x 60° are on request.

**Technical Data**

Max. RPM	3000	2800	2200	1800
Jaw Stroke Dia	9	9.2	11.6	11.6
Plunger Stroke (Max.)	20	20	25	25
Draw Bar Pull (Max. Kgf.)	1800	2500	3100	4000
Gripping Force (Max. Kgf.)	5000	6800	9500	12500
Jaw Compensation (on Dia.)	3.5	4	4	4

[www.sharpchucks.com](http://www.sharpchucks.com)