

High Performance Quality Products...

# Power Chucks



**Standard Accessories:**  
Reversible Top hard Jaws- 1 Set  
Soft Jaws- 1 Set  
Allen Key- 1 Pc  
Key for Stroke Adjustment - 1 Pc  
(only in open Center)

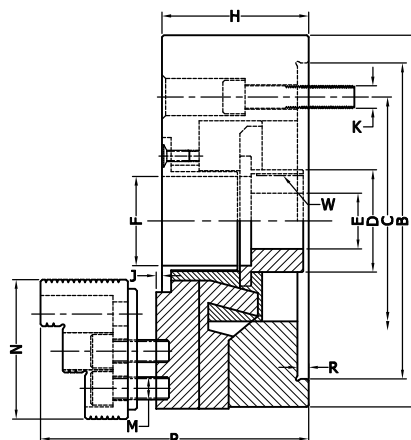
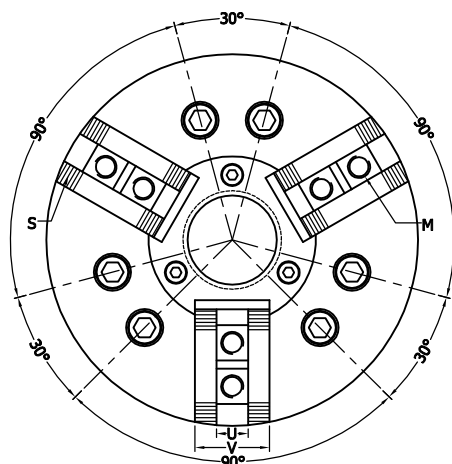


**Type 7300 (Power Chuck Open Centre)**

Chuck Size (MM)	Chuck Size (Inches)	Short Taper	Through Hole	2 Jaw	3 Jaw	4 Jaw
135	5"	----	33	1532135	1533135	----
165	6 1/2"	----	45	1532165	1533165	1534165
200	8"	----	52	1532200	1533200	1534200
250	10"	----	68	1532250	1533250	1534250
315	12 1/2"	----	90	1532315	1533315	1534315



**Power Chucks**  
 Technical Specifications



**Dimensional Data**

Chuck Size	135mm	165mm	200mm	250mm	315mm
A	135	170	210	254	315
B H6	110	140	170	220	220
C	82.6	104.8	133.4	171.4	171.4
D	47	60	66	84	102
E	12	20	30	45	50
F	33	45	52	68	90
H	60	80	91	110	110
J	2.5	3.5	6	5	5
K	3 x M10	6 x M10	6 x M12	6 x M16	6 x M16
M	M8	M10	M12	M12	M14
N	57	72	87	100	107
P	97	128	148	159	172
R	4	5	5	5	6
S	1/16" x 90°	1/16" x 90°	1/16" x 90°	1/16" x 90°	1/16" x 90°
U	10	12	14	16	18
V	23	32	37	40	50
W Max.	M40 x 1.5	M55 x 1.5	M60 x 2.0	M75 x 2.0	M88 x 2.0

Note: Serrations 1.5 x 60° are on request.

**Technical Data**

Open Centre Dia	33	45	52	68	90
Max. RPM	7000	5000	5000	4200	3300
Jaw Stroke Dia	5.4	5.5	7.4	8.8	10.6
Plunger Stroke (Max.)	10	12	16	20	23
Draw Bar Pull (Max. Kgf.)	1630	2000	3100	3800	4900
Gripping Force (Max. Kgf.)	3660	5500	8350	11000	14300